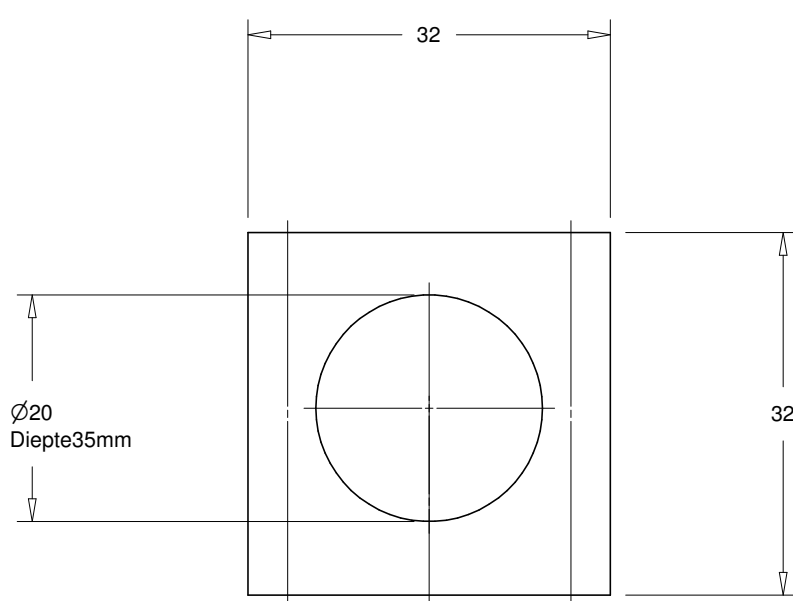
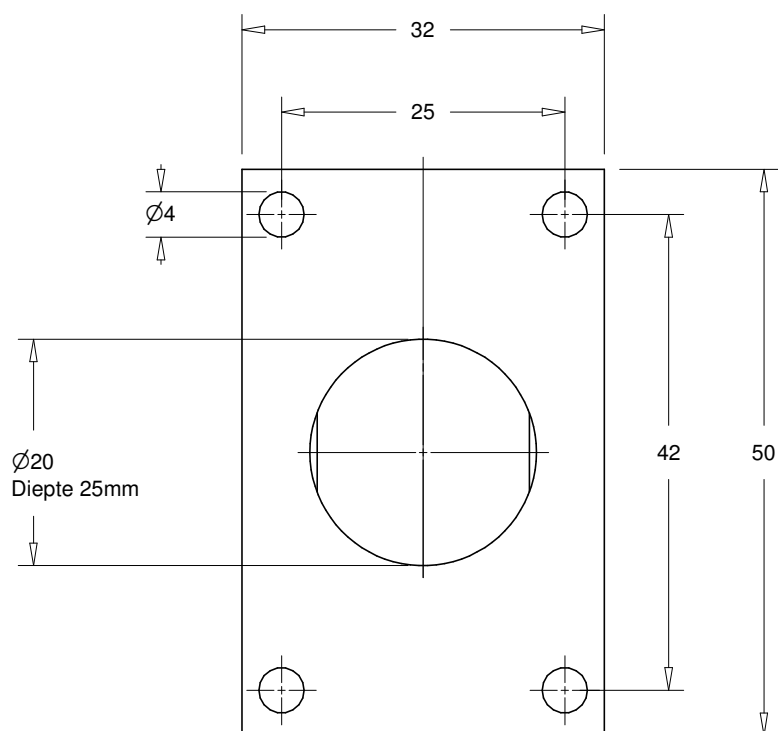
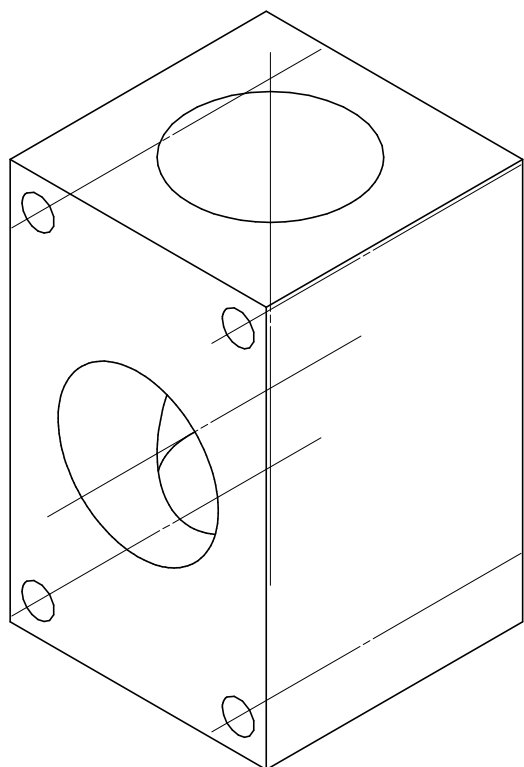


1**2****3****4****5****6****A****B****C****D****E****F****G**

Drawn by: CVDW

Client:

Date: 29/03/2015

Material: Alu

Toleranties: DIN7168 mittel

Heading:

**Uitvoerblokje Electriciteit
Z-As**

Formaat: A4

Scale:

Dwg nr.: 150329/01

**CONSTRUCTION
VAN DE WALLE**

J. Parijslaan 30

B-9940 EVERGEM

Belgium

tel: +32.92.53.58.58

fax: +32.92.53.71.72

mailto:ghislain@vdwalle.com

H